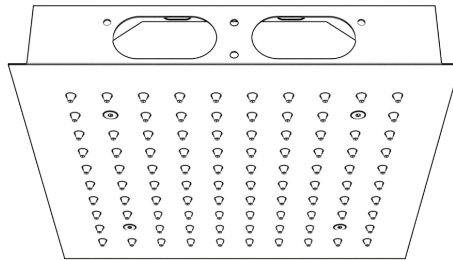


# CRANACH®

## INSTALLATION MANUAL

Wellness



C10.SW01

# ENGLISH

## SAFETY NOTES

- ⚠ WARNING: To prevent product failure, property damage, and personal injury, please follow these guidelines:
- ⚠ The shower is designed exclusively for bathing, personal hygiene, and body cleaning purposes.
- ⚠ The shower arm is intended solely to support the showerhead. Do not hang any additional items from the shower arm.
- ⚠ Regularly clean your CRANACH product as needed to prevent the buildup of mineral scale and/or soap residue.
- ⚠ Please refer to the Cleaning Recommendations when choosing a cleaning agent for this product. Avoid using cleaning products that contain chlorine bleach, lye, hydrochloric acid, formic acid, acetic acid, or abrasive materials.
- ⚠ FAILURE TO ADHERE TO THESE INSTRUCTIONS MAY LEAD TO PRODUCT DAMAGE, MALFUNCTION, AND VOIDING OF THE WARRANTY.

## INSTALLATION CONSIDERATIONS

CRANACH recommended that this unit be installed by a licensed professional plumber.

Before starting the installation, please read these instructions carefully and make sure you have all the required tools and materials on hand.

To avoid the risk of scalding, ensure that the maximum output temperature of the shower mixing valve (not included) does not exceed 120°F (49°C).

Keep this booklet and the receipt (or other proof of date and place of purchase) for this product in a safe place. The receipt is required should it be necessary to request warranty parts.

## TECHNICAL INFORMATION

Max. Flow Rate: 5.1GPM(19.3L/min) @ 80 PSI

## We're Here to Help!

Visit our Support Center for detailed product guides, warranty policies, and troubleshooting tips. Need instant assistance? Reach out via live chat or email us directly at [support@cranachhome.com](mailto:support@cranachhome.com). For your convenience, we've provided quick access through the following QR codes:

### Warranty Services

Scan the QR code below to quickly register your product warranty or access warranty-related information, ensuring peace of mind while using our products.

### Download This Document

Want to save a copy of this document for future reference? Scan the QR code below to instantly download it to your device.

We're committed to providing you with prompt, efficient, and comprehensive support every step of the way!



[cranachhome.com/warranty/](https://cranachhome.com/warranty/)



[cranachhome.com/installation/](https://cranachhome.com/installation/)

## TOOLS REQUIRED



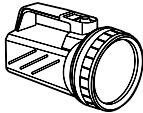
Safety Glasses



Teflon Tape



Allen Key



Flashlight



Screwdriver



Adjustable Wrench



Utility Knife

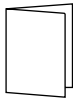
# PARTS IN THE BOX

Read over these instructions thoroughly before beginning installation. Make sure that you have all tools and supplies needed to complete the installation.

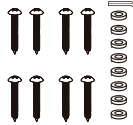
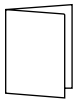
C10.SW01



Installation Manual



Warranty Card



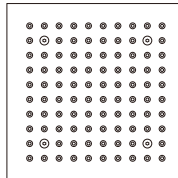
Shower Head Screw Package



Shower Head hose



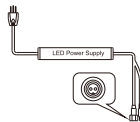
LED Controller



Shower Head Body



Controller Pedestal

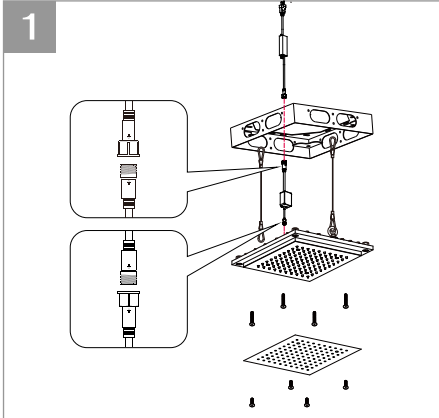


Water Proof Power Supply

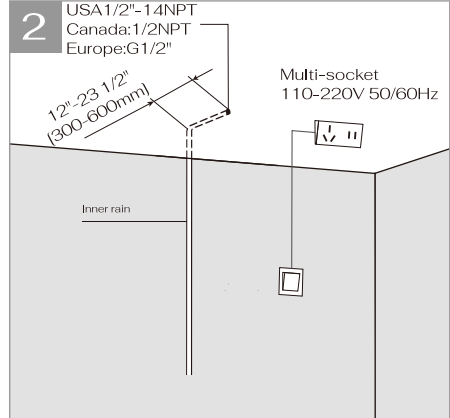


WIFI Controller

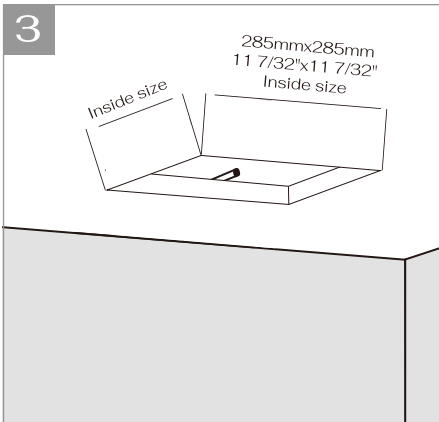
# INSTALLATION



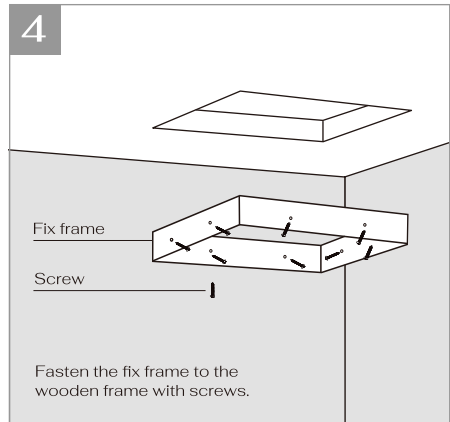
1  
Unscrew the decorative shower panel, shower head body, and fix frame respectively, according to the mark (Remove/Install) on the top of the decorative shower panel.



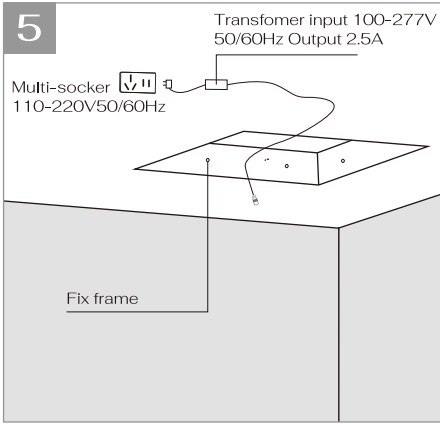
2  
USA: 1/2"-14NPT  
Canada: 1/2NPT  
Europe: G1/2"  
1 1/2"-23 1/2"  
(300-600mm)  
Multi-socket  
110-220V 50/60Hz  
Inner rain  
Install the power socket in the appropriate position, lay out the water pipeline, and connect it to the valve.



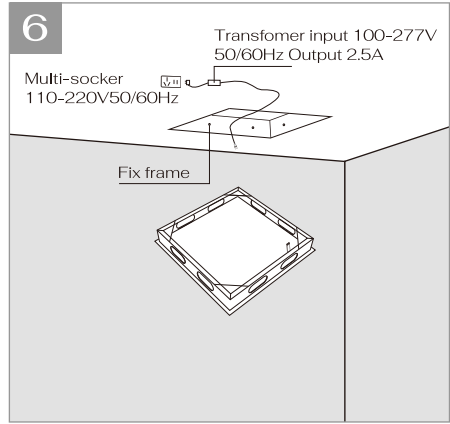
3  
Reserve installation holes on the ceiling according to the dimensions shown in the diagram.



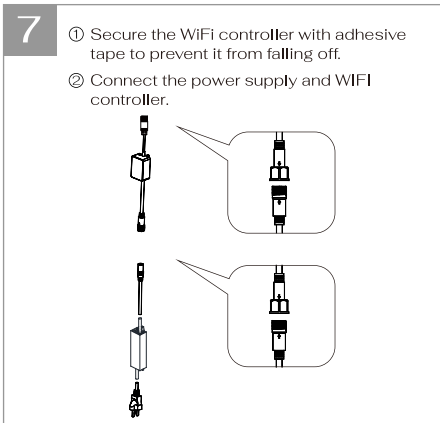
4  
Fasten the fix frame to the wooden frame with screws.



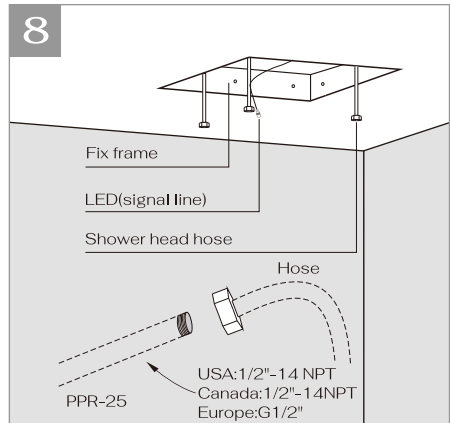
Install the transformer, and connect to the power socket illustrated.



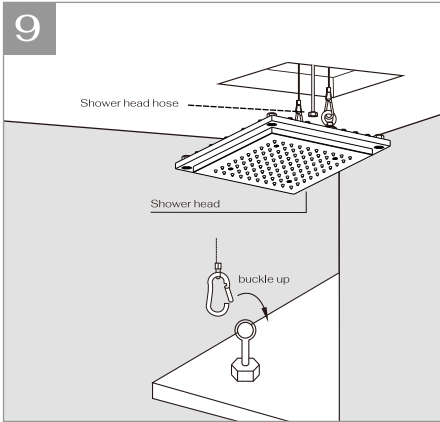
Connect the WiFi controller and power supply. Secure connections with electrical tape and fix the frame.



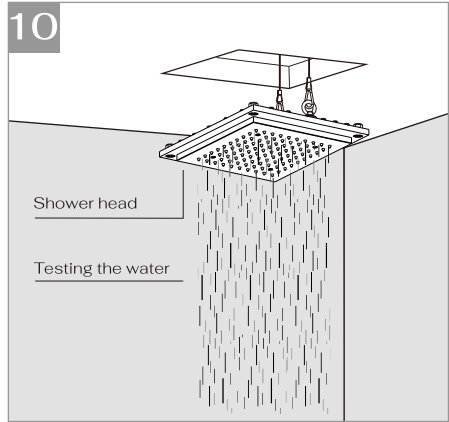
Connect the WiFi controller to the power supply and secure it with adhesive tape.



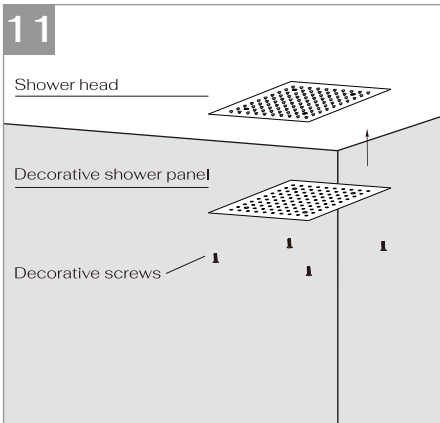
Connect the corrugated pipe between the embedded water pipe and the rear water inlet of the shower head.



Install the main body of the overhead shower.



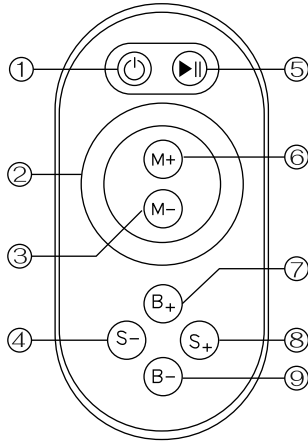
Test the overhead shower spray to ensure proper water flow and functionality after installation



Attach the decorative shower panel to the shower head body.

# LED TOUCH REMOTE INSTRUCTION

The touch remote has 9 touch keys, each of which functions as follows:  
Controller connections shown:



- ① Turn ON/OFF
- ⑤ Mode Switch
- ② Color Touch Ring
- ③/⑥ Color Temperature adjusting
- ④/⑧ Dynamic Speed adjusting
- ⑦/⑨ Dynamic Brightness adjusting

## Mode:

NO.	FUNCTION	REMOTE
1	Static red	Brightness is adjustable. speed is unadjustable.
2	Static green	
3	Static blue	
4	RGB Jumping	
5	Static blue-green	
6	Static yellow	
7	Static white	
8	Static purple	Brightness is adjustable Speed is adjustable
9	RGB Gradual	
10	7-Colors Jumping	
11	7-Colors Gradual	

## Power supply management:

The remote will enter standby mode (untouchable state) if pressed for more than 20 seconds. If this occurs, please slightly shake it once and the remote will return to normal working state (touchable state).

## Indicator light instruction:

1. When the PWR indicator light is bright, the remote is either idle or sending a signal; when the PWR light is off, it will enter standby mode.
2. When RF is bright, it means the remote is sending signal; off means there is no signal sending.

## Remarks:

1. This product should be commissioned and installed by qualified personnel.
2. This product cannot be waterproof; it needs to be protected from sun and rain. If installed outdoors, please use a waterproof box.
3. Good heat dissipation conditions will extend the life of the LED controller. Please install the product in a well-ventilated environment.
4. Please do not install or use such products in lightning, thunder, strong magnetic or high voltage applications.
5. Please check whether the output voltage of the LED power supply used meets the product voltage range requirements.
6. The diameter of the wire used must be sufficient to support the connected LED luminaire, and ensure that the wiring is secure to avoid the wire overheating or poor contact triggering an accident.
7. Before power-on debugging, ensure that all wiring is correct to avoid damage to the luminaire due to wiring errors.



## WARRANTY

### Parts and Finish:

All parts (excluding electronic parts and batteries) and finishes of CRANACH products purchased from authorized CRANACH sellers are warranted to the original consumer purchaser to be free from defects in material and workmanship for as long as the original consumer purchaser owns the home in which the faucet(s) are installed.

For commercial purchasers or multi-family residential properties (such as apartments and condominiums), the warranty period is 10 years from the date the product is received by the original purchaser or their authorized representative (e.g., installation contractor).

### Electronic Parts:

Electronic parts (excluding batteries), if applicable, that are part of CRANACH products purchased from [cranachhome.com](http://cranachhome.com) or authorized CRANACH sellers are warranted to the original consumer purchaser to be free from defects in material and workmanship for 5 years from the date the product is received for residential use, 1 year for commercial purchasers. Batteries are not covered under this warranty.

### What We Will Do:

If a defect is found during the applicable warranty period, CRANACH will provide replacement parts free of charge. This includes any part or finish that proves defective in material or workmanship under normal installation, use, and service. Before returning your faucet to CRANACH, please visit our website or contact our customer service team (via phone or email) for troubleshooting assistance.

### Exclusions & Limitations:

This warranty does not cover damage caused by abuse, misuse, or improper care, lack of maintenance or improper installation, freezing water or excessive water pressure, abrasive cleaning products, or use in violation of applicable codes or regulations. Labor charges incurred during installation, repair, or replacement, damage incurred during installation or removal, or incidental or consequential damages, are excluded.

## CARE AND CLEANING

Gently clean the product with clear water and wipe dry using a soft, lint-free cloth. Do not use soaps, acid, polish, abrasives or rough materials that may damage the surface.

# CRANACH<sup>®</sup>

7933 Ley Rd Houston, TX, 77028

24hours Hotline:  
+ (1) 888-263-8999

Email:  
[info@cranachhome.com](mailto:info@cranachhome.com)

CR\_INSTALLATION\_V1.0\_202501