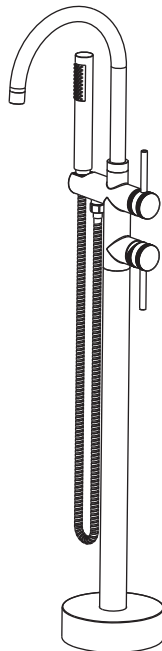


CRANACH[®]
BATH & KITCHEN

INSTALLATION MANUAL

Bathtub Faucet



CO2.AN22

ENGLISH

SAFETY NOTES

- ⚠ WARNING: To prevent product failure, property damage, and personal injury, please follow these guidelines:
- ⚠ The shower is designed exclusively for bathing, personal hygiene, and body cleaning purposes.
- ⚠ The shower arm is intended solely to support the showerhead. Do not hang any additional items from the shower arm.
- ⚠ Regularly clean your CRANACH product as needed to prevent the buildup of mineral scale and/or soap residue.
- ⚠ Please refer to the Care And Cleaning when choosing a cleaning agent for this product. Avoid using cleaning products that contain chlorine bleach, lye, hydrochloric acid, formic acid, acetic acid, or abrasive materials.
- ⚠ FAILURE TO ADHERE TO THESE INSTRUCTIONS MAY LEAD TO PRODUCT DAMAGE, MALFUNCTION, AND VOIDING OF THE WARRANTY.

INSTALLATION CONSIDERATIONS

CRANACH recommends that this unit be installed by a licensed professional plumber.

Before starting the installation, please read these instructions carefully and make sure you have all the required tools and materials on hand.

To avoid the risk of scalding, ensure that the maximum output temperature of the shower mixing valve does not exceed 120°F (49°C).

TECHNICAL INFORMATION

Flow Rate: > 2.4 GPM @ 20 PSI

Warranty Services

Scan the QR code to quickly register and activate your product warranty or access warranty-related information.



cranachhome.com/warranty/

Installation Manual

Scan the QR code to instantly access the installation manual for your product. Download it to your device for convenient future reference and to ensure a smooth setup process.



cranachhome.com/installation/

Need instant assistant? Reach out via our 24-hour customer support line at 888.263.8999 or via email at support@cranachhome.com.

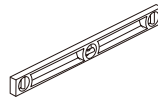
RECOMMENDED TOOLS TO PREPARE



Safety Glasses



Teflon Tape



Level



Hammer



Power Drill



Screwdriver



Pencil



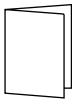
Adjustable Wrench

PARTS IN THE BOX

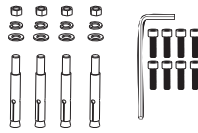
Read over these instructions thoroughly before beginning installation. Make sure that you have all tools and supplies needed to complete the installation.



Installation Manual



Specification



Spare Parts



Bathtub Stand Pipe



Water Supply Tube



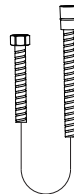
Concealed Body



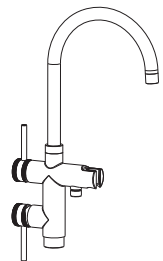
Decorative cover



Hand Shower

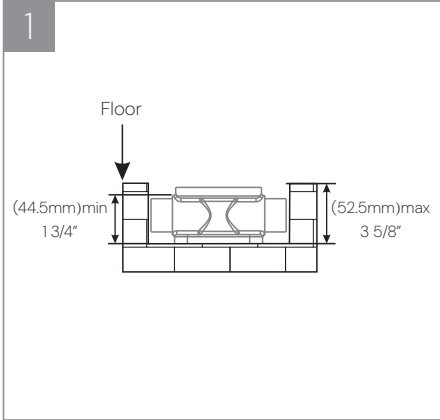


Shower Hose

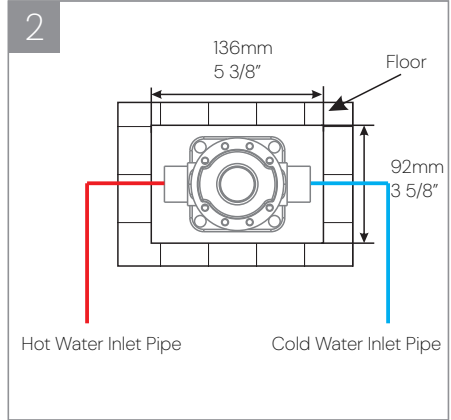


Main Body

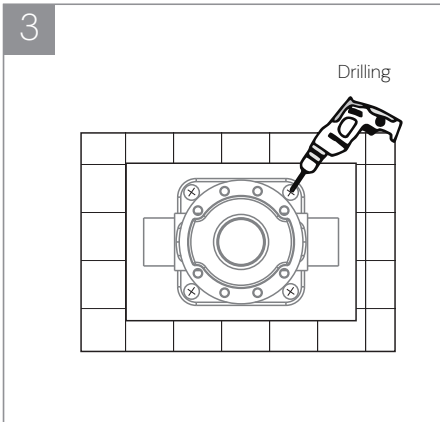
INSTALLATION



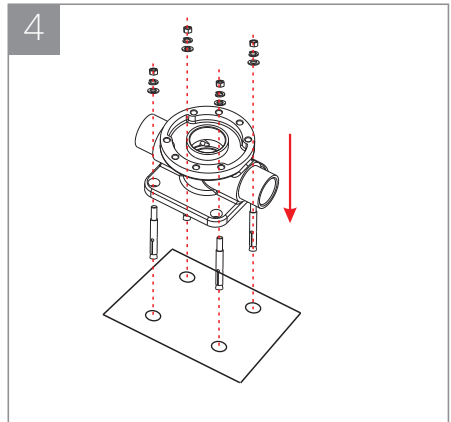
- 1. The installation depth of the embedded body is shown in diagram.
- 1.2 The dimensions must be between 44.5mm (1 3/4") and 52.5mm (2 1/8").



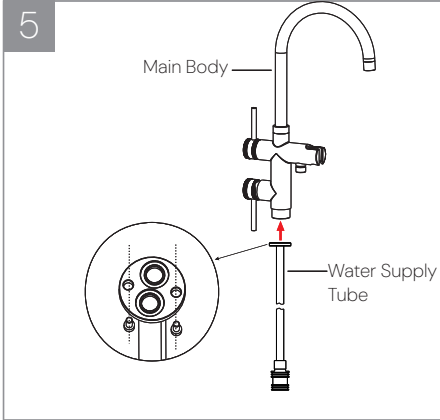
- 2.1 The opening dimensions on the room floor, including length and width, are shown in diagram.
- 2.2 Accurately connect the hot and cold water inlet pipes according to the "H" (hot) and "C" (cold) markings on the concealed body.



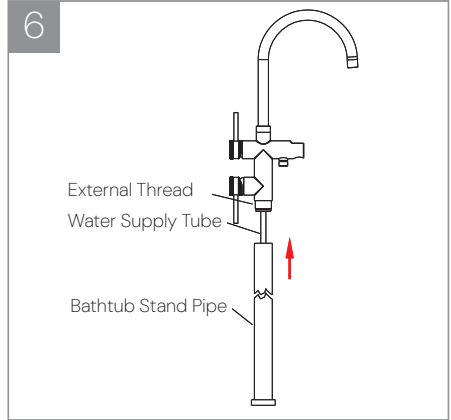
- 3. Place the concealed body at the center of the prepared hole, mark the positions of the four corresponding screw holes, and use a punch to drill the holes.



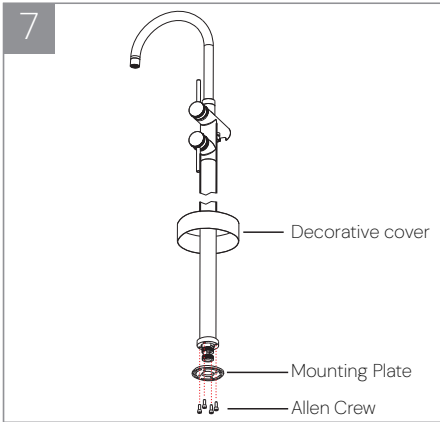
- 4.1 Insert the expansion screws into the holes (ensure an appropriate screw length is exposed for securing the main body and nut).
- 4.2 Then align the screw holes of the concealed body with the screws, and finally tighten the nut and washer.



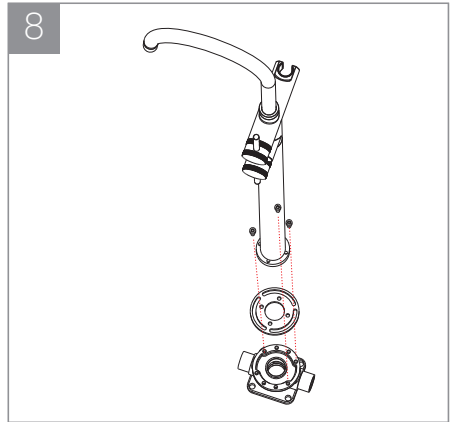
5. Connect the main body to the water supply tube using hex screws, following the direction indicated in the diagram. Make sure to tighten the screws securely; otherwise, leakage may occur.



6. Insert the bathtub standpipe into the water supply tube following the direction shown in the diagram until it reaches the external thread of the main body. Then, tighten it clockwise.

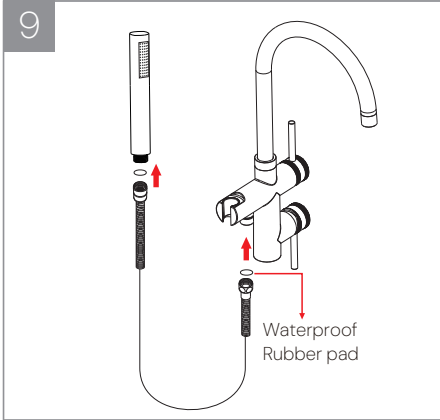


7. Align the mounting plate with the four screw holes at the bottom of the main body, then tighten the Allen screws as shown in the diagram.

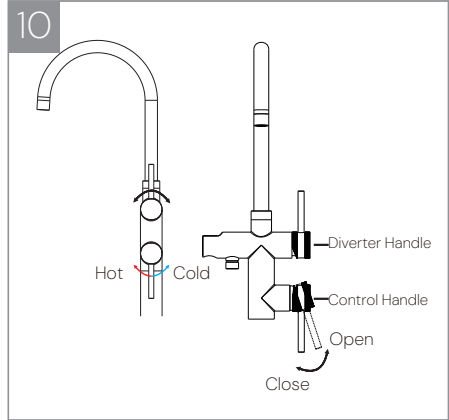


8.1 Rotate the main body to the appropriate position (adjust according to the actual water pipe installation location).

8.2 Use the remaining four hex socket screws to secure the fixing plate to the main body, integrating it with the concealed body into a single unit.



9. Connect one end of the shower hose to the main body outlet as shown in the diagram, and connect the other end to the hand shower.



10.1 The diverter handle can rotate 90° left and right to switch between different water outlet modes.
 10.2 The control handle regulates the water flow. Pushing it to the left activates hot water, while pushing it to the right activates cold water.

WARRANTY

Parts and Finishes:

CRANACH warrants all parts (excluding electronic components and batteries) and finishes of this product, purchased from authorized CRANACH sellers, to be free from defects in material and workmanship.

- Residential Use:
Lifetime warranty, for as long as the original consumer purchaser owns the home in which the product is installed.
- Commercial or Multi-Family Use:
For a period of ten (10) years from the date the product is received by the original purchaser or their authorized representative.

Electronic Components:

If applicable, electronic components (excluding batteries) of CRANACH products purchased from cranachhome.com or authorized CRANACH sellers are warranted to the original consumer purchaser to be free from defects in material and workmanship.

- Residential Use:
For a period of five (5) years from the date the product is received.
- Commercial or Multi-Family Use:
For a period of one (1) year from the date the product is received.

What We Will Do:

During the applicable warranty period, if a defect is found in material or workmanship under normal installation, use, and service, CRANACH will provide replacement parts free of charge. Before returning your product to CRANACH, please visit our website or contact our customer service team (via phone or email) for troubleshooting assistance.

Exclusions & Limitations:

This warranty does not cover:

- Damage caused by abuse, misuse, improper care, lack of maintenance, or improper installation.
- Damage from freezing water or excessive water pressure.
- Damage from abrasive cleaning products or use in violation of applicable codes or regulations.
- Labor charges incurred during installation, removal, or repair of the product.
- Incidental or consequential damages.

CRANACH[®]

BATH & KITCHEN

7933 Ley Rd
Houston, TX, 77028
cranachhome.com

Installation_CO2.AN22_Rev1.0