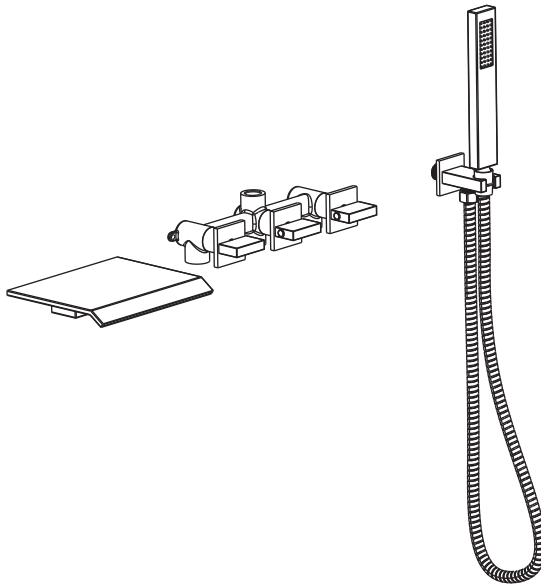


# INSTALLATION MANUAL

Tub Faucet



# ENGLISH

## SAFETY NOTES

- ⚠ WARNING: To prevent product failure, property damage, and personal injury, please follow these guidelines:
- ⚠ The shower is designed exclusively for bathing, personal hygiene, and body cleaning purposes.
- ⚠ The shower arm is intended solely to support the showerhead. Do not hang any additional items from the shower arm.
- ⚠ Regularly clean your CRANACH product as needed to prevent the buildup of mineral scale and/or soap residue.
- ⚠ Please refer to the Care And Cleaning when choosing a cleaning agent for this product. Avoid using cleaning products that contain chlorine bleach, lye, hydrochloric acid, formic acid, acetic acid, or abrasive materials.
- ⚠ FAILURE TO ADHERE TO THESE INSTRUCTIONS MAY LEAD TO PRODUCT DAMAGE, MALFUNCTION, AND VOIDING OF THE WARRANTY.

## INSTALLATION CONSIDERATIONS

CRANACH recommends that this unit be installed by a licensed professional plumber.

Before starting the installation, please read these instructions carefully and make sure you have all the required tools and materials on hand.

To avoid the risk of scalding, ensure that the maximum output temperature of the shower mixing valve does not exceed 120°F (49°C).

## TECHNICAL INFORMATION

Min. Flow Rate: >2.4 GPM @ 20 PSI

**Warranty Services**

Scan the QR code to quickly register and activate your product warranty or access warranty-related information.



[cranachhome.com/warranty/](http://cranachhome.com/warranty/)

**Installation Manual**



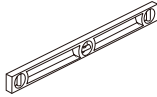


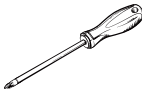
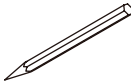

Scan the QR code to instantly access the installation manual for your product. Download it to your device for convenient future reference and to ensure a smooth setup process.



[cranachhome.com/installation/](http://cranachhome.com/installation/)

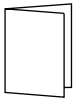
Need instant assistant? Reach out via our 24-hour customer support line at 888.263.8999 or via email at [support@cranachhome.com](mailto:support@cranachhome.com).

**RECOMMENDED TOOLS TO PREPARE**

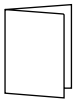
			
Safety Glasses	Teflon Tape	Level	Hammer
			
Power Drill	Screwdriver	Pencil	Adjustable Wrench

# PARTS IN THE BOX

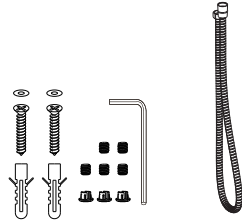
Read over these instructions thoroughly before beginning installation. Make sure that you have all tools and supplies needed to complete the installation.



Installation Manual



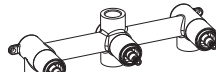
Specification



Spare Parts



Shower Hose



Rough-in Valve



Escutcheon



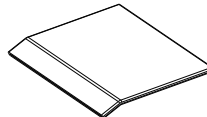
Handle



Hand Shower Holder



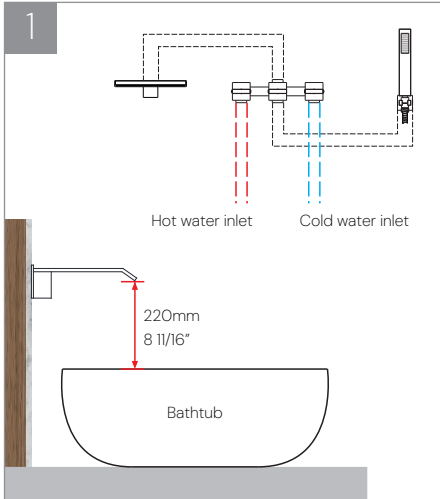
Hand Shower



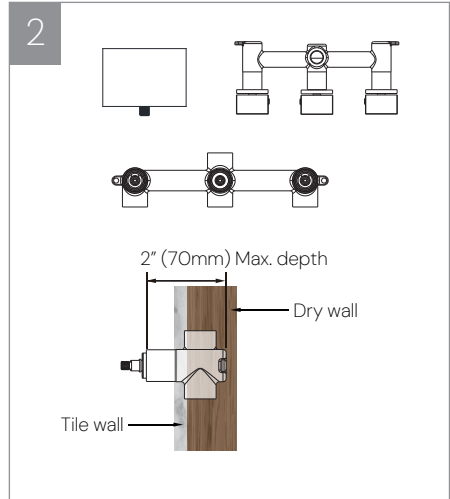
Spout



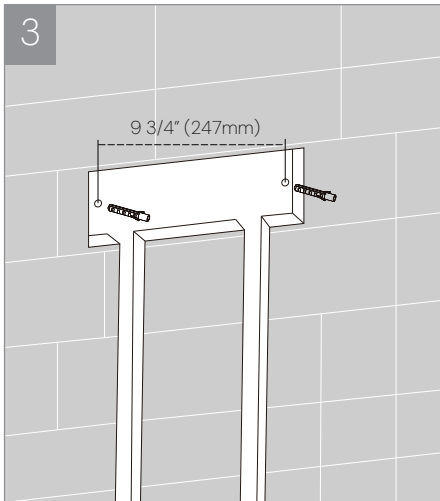
# INSTALLATION



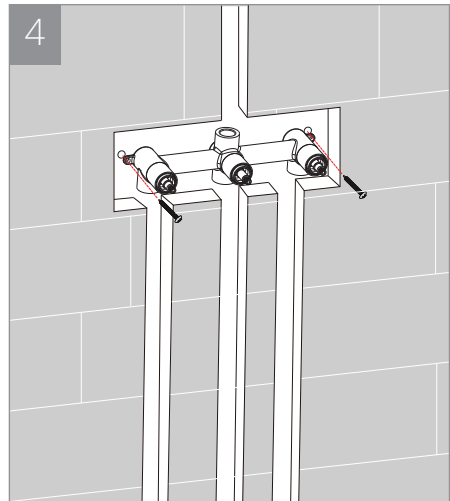
1. Water circuit diagram of tub faucet.



2. Suggested installation depth of the rough-in body is 2" (70mm).

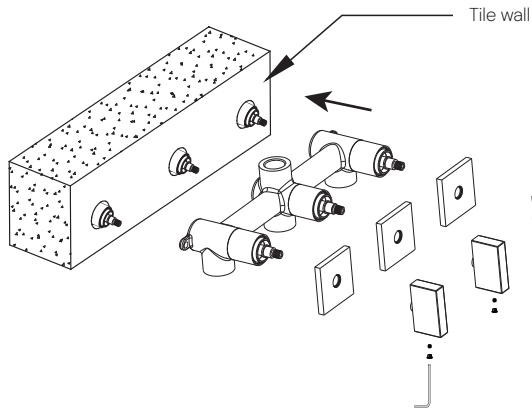


3. Make marks according to the size of the main body valve, and then drill anchors into the wall (concrete wall).



4. Install the screw sleeve into the drilled hole first, and then fix the main body with the screw. Connect the hot and cold water inlet pipes. Finally seal the main body with concrete. (Note: Do not block the connection hole where the spout is installed in the middle of the main body.)

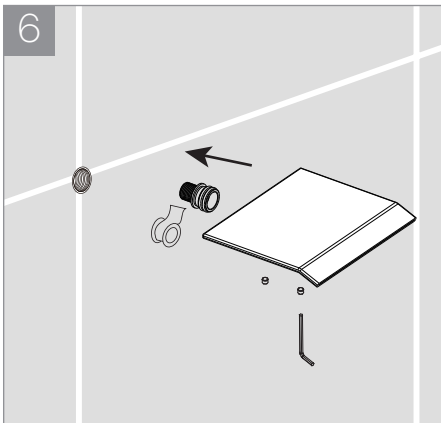
5



5.1 Screw the decorative cup into the brass sleeve of the main body until it is in a suitable position.

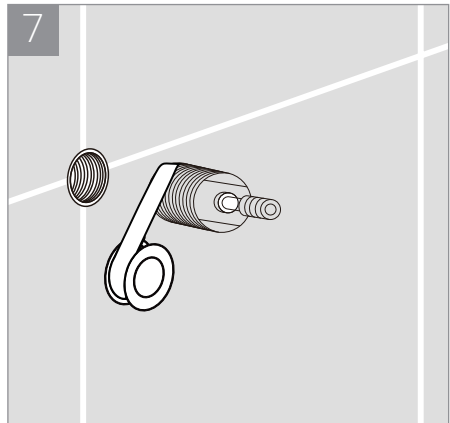
5.2 Then attach the handle to the valve core and tighten the screw with a hex key (the screw hole is on the bottom).

6

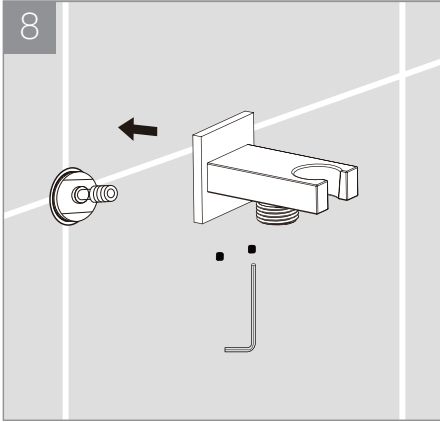


6. Wrap the water outlet connector with plumber's tape and screw it into the pipe outlet. Then, install the spout onto the connector and tighten the hex screw.

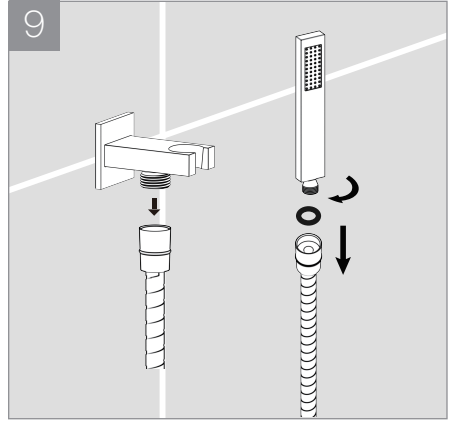
7



7.1 Wrap an appropriate amount of PTFE tape around the thread.



8.1 Screw the main body into the thread.  
8.2 Tighten the two screws at the bottom.



9. Rotate and tighten the body until there are no leaks.

# WARRANTY

## Parts and Finishes:

CRANACH warrants all parts (excluding electronic components and batteries) and finishes of this product, purchased from authorized CRANACH sellers, to be free from defects in material and workmanship.

- Residential Use:  
Lifetime warranty, for as long as the original consumer purchaser owns the home in which the product is installed.
- Commercial or Multi-Family Use:  
For a period of ten (10) years from the date the product is received by the original purchaser or their authorized representative.

## Electronic Components:

If applicable, electronic components (excluding batteries) of CRANACH products purchased from [cranachhome.com](http://cranachhome.com) or authorized CRANACH sellers are warranted to the original consumer purchaser to be free from defects in material and workmanship.

- Residential Use:  
For a period of five (5) years from the date the product is received.
- Commercial or Multi-Family Use:  
For a period of one (1) year from the date the product is received.

## What We Will Do:

During the applicable warranty period, if a defect is found in material or workmanship under normal installation, use, and service, CRANACH will provide replacement parts free of charge. Before returning your product to CRANACH, please visit our website or contact our customer service team (via phone or email) for troubleshooting assistance.

## Exclusions & Limitations:

This warranty does not cover:

- Damage caused by abuse, misuse, improper care, lack of maintenance, or improper installation.
- Damage from freezing water or excessive water pressure.
- Damage from abrasive cleaning products or use in violation of applicable codes or regulations.
- Labor charges incurred during installation, removal, or repair of the product.
- Incidental or consequential damages.







# CRANACH<sup>®</sup>

BATH & KITCHEN

7933 Ley Rd  
Houston, TX, 77028  
cranachhome.com