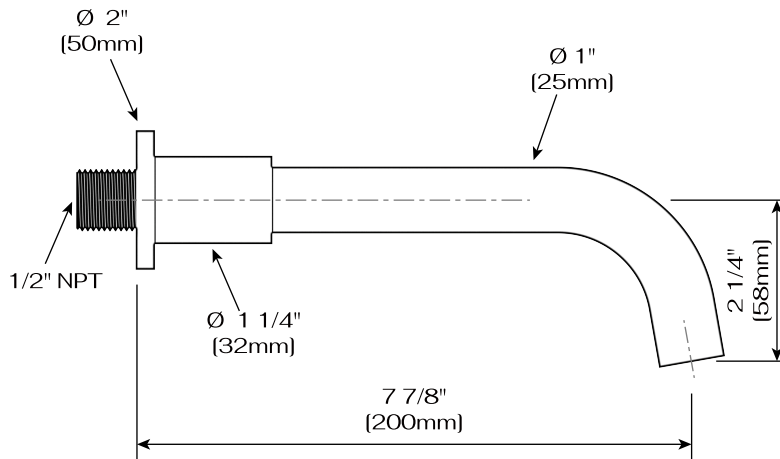


# TUB SPOUT

R100 C40.R101

**CRANACH**<sup>®</sup>



## FEATURES

- Easy Wipe Clean  
Chemical-free cleaning, effortless maintenance on frequently touched areas.
- All Metal Construction  
Durable metal build, superior strength and long-lasting reliability.
- One Piece Installation  
Seamless design, no loose parts or on-site reassembly needed.

## SPECIFICATION

- 1/2" NPT male connection
- Finish Availability: Polished Chrome/  
Matte Black/Brushed Nickel/Brushed Gold

## FLOW

- 1.75 / 2.5 GPM @ 20 PSI MAX

## WARRANTY

- Parts and Finish: Limited lifetime warranty for residential, or 10 years for commercial purchasers and multi-family (apartments and condominiums) residential, in each case from the date of purchase.

## STANDARDS

- ASME A112.18.1/CSA B125.1

*Cranach deserves the right to make changes in specifications and materials and to change or discontinue models both without notice or obligation. Dimensions are only for reference only.*