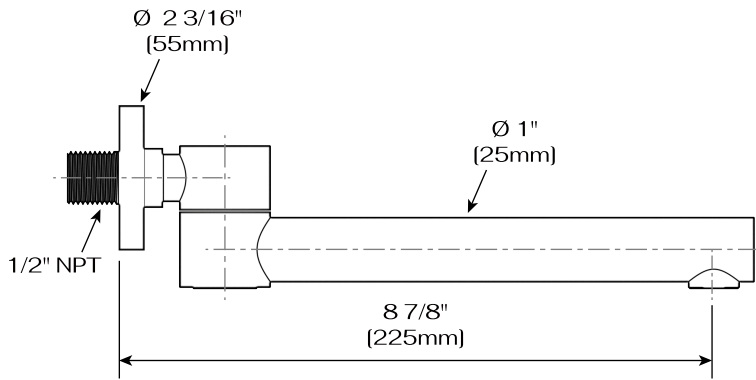


TUB SPOUT

R150 C40.R151

CRANACH[®]



FEATURES

- **Foldable Spout**
Adjustable water position, enhanced convenience and usability.
- **All Metal Construction**
Durable metal build, superior strength and long-lasting reliability.
- **One Piece Installation**
Seamless design, no loose parts or on-site reassembly needed.

SPECIFICATION

- 1/2" NPT male connection
- **Finish Availability:** Polished Chrome/
Matte Black/Brushed Nickel/Brushed Gold

FLOW

- 2.4 GPM @ 20 PSI MAX

WARRANTY

- **Parts and Finish:** Limited lifetime warranty for residential, or 10 years for commercial purchasers and multi-family (apartments and condominiums) residential, in each case from the date of purchase.

STANDARDS

- ASME A112.18.1/CSA B125.1

Cranach deserves the right to make changes in specifications and materials and to change or discontinue models both without notice or obligation. Dimensions are only for reference only.