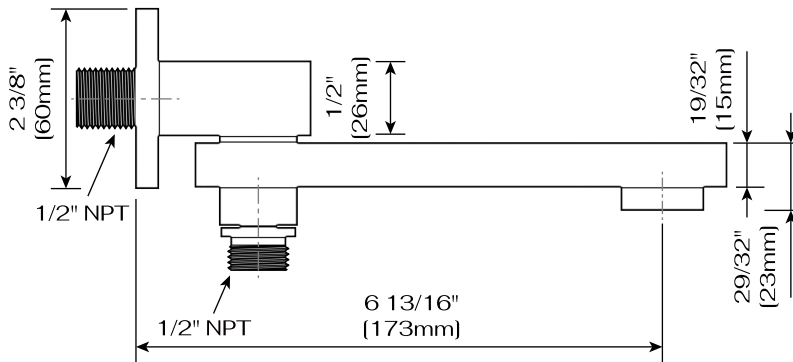


TUB SPOUT

S150 PLUS C40.S152

CRANACH[®]



FEATURES

- Dual Water Outlet
Separate water outlets, flexible use for different needs.
- Foldable Spout
Adjustable water position, enhanced convenience and usability.
- All Metal Construction
Durable metal build, superior strength and long-lasting reliability.
- One Piece Installation
Seamless design, no loose parts or on-site reassembly needed.

SPECIFICATION

- 1/2" NPT male connection
- Finish Availability: Polished Chrome/
Matte Black/Brushed Nickel/Brushed Gold

FLOW

- 1.75 / 2.5 GPM @ 20 PSI MAX

WARRANTY

- Parts and Finish: Limited lifetime warranty for residential, or 10 years for commercial purchasers and multi-family (apartments and condominiums) residential, in each case from the date of purchase.

STANDARDS

- ASME A112.18.1/CSA B125.1

Cranach deserves the right to make changes in specifications and materials and to change or discontinue models both without notice or obligation. Dimensions are only for reference only.