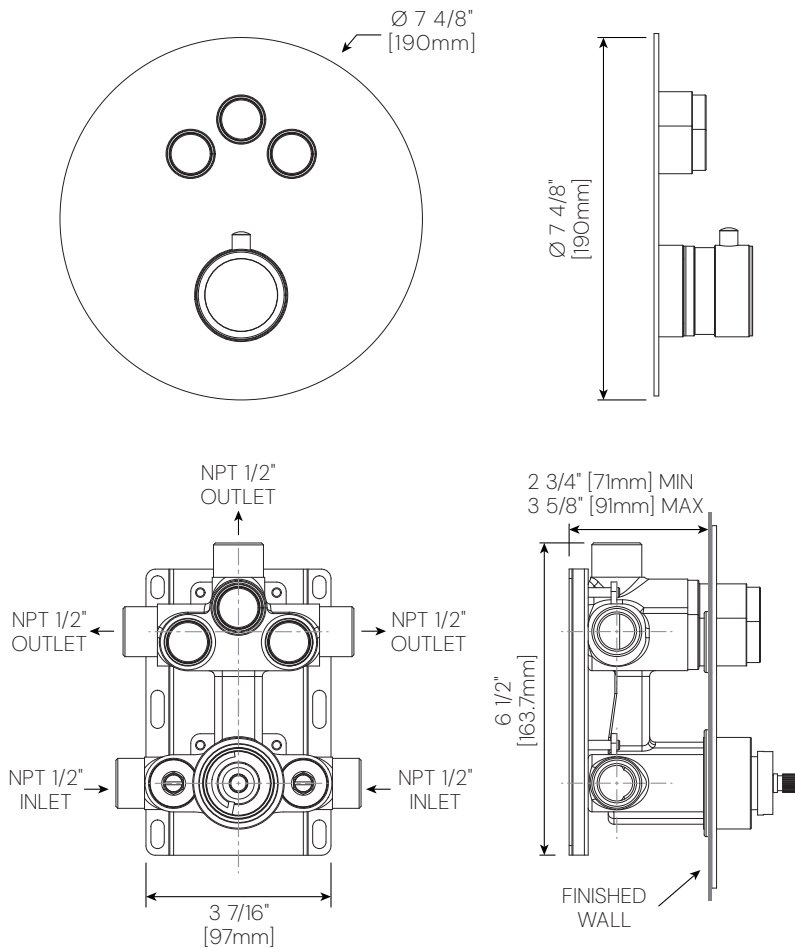


# TIRM & VALVE

C66.RH01

**CRANACH**  
BATH & KITCHEN



## FEATURES

- Thermostatic Valve  
Precise temperature control, reliable operation, and improved user safety.
- 3 Outlets  
Three independent outlets operable singly or in any combination.
- Corrosion-Resistant Finish  
Resilient coating, defense against corrosion and wear.
- All Metal Construction  
Durable metal build, superior strength and long-lasting reliability.

## SPECIFICATION

- Thermostatic cartridge locks temperature at 38°C/100°F
- Top button controls diverter function
- Bottom knob controls temperature
- Inlet: NPT 1/2" female connection
- Outlet: NPT 1/2" male connection
- Finish Availability: Polished Chrome/Matte Black/Brushed Nickel/Brushed Gold
- Cartridges included

## FLOW

- 8.5 GPM @ 80 PSI MAX

## WARRANTY

- Parts and Finish: Limited lifetime warranty for residential, or 10 years for commercial purchasers and multi-family (apartments and condominiums) residential, in each case from the date of purchase.

## STANDARDS

- ASME A112.18.1/CSA B125.1

*Cranach deserves the right to make changes in specifications and materials and to change or discontinue models both without notice or obligation. Dimensions are only for reference only.*